

oddy

Novatek 2

- Output variable between 1500 to 6000 pieces per hour, or optional fixed speed
- Stainless steel covers with safety interlocks are standard
- Gentle dividing action
- Low noise level >76dB(A)
- Weight range 10g to 500g with change parts
- Bulk dough feed conveyor (capacity 55kg) reduces labour requirement
- Dry process eliminates cost of divider oil
- Easy cleaning reduces downtime

ODDY NOVATEK 2 - TWO ROW DIVIDER ROUNDER

This compact but rugged machine has established itself in smaller to medium sized bakeries due to its versatility and reliability.

Capable of gently processing a wide variety of doughs, the Novatek 2 uses no divider oil which means not only reduced running costs but also an extremely clean machine.

The standard bulk feed conveyor accepts 55kg (120lbs) of dough at a single fill avoiding the need for constant operator attention.

The throughput speed can be fixed to customers' choice up to 6000 pieces per hour but variable speed drive is standard.

At the heart of the machine is a low stress dough scaling cylinder which, with change parts, gives a weight range of 10g-500g (0.3oz-17.5oz), to cater for any change in consumer trends.

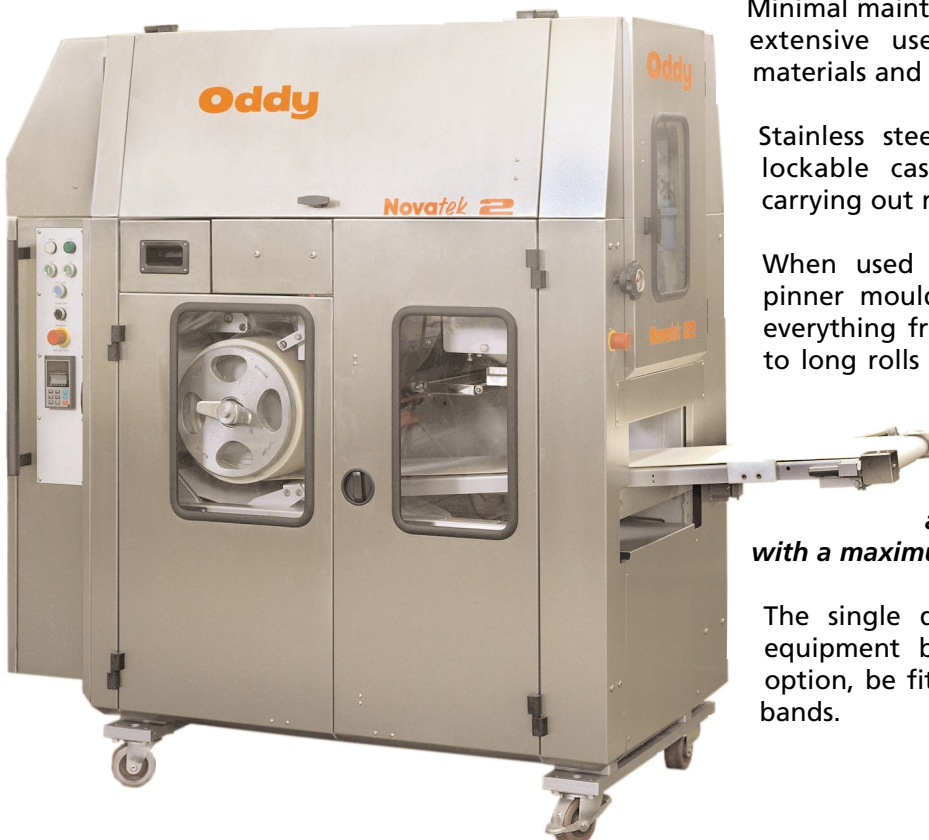
Minimal maintenance is required thanks to the extensive use of sealed bearings, special materials and long life non-stick coatings.

Stainless steel covers are standard, as are lockable castors for easy mobility when carrying out routine bakery cleaning.

When used in conjunction with an Oddy pinner moulder, one operator can produce everything from small dinner buns and baps to long rolls up to 230mm (9") in length, all consistent in weight, size and shape.

This Novatek is also available in 3 row configuration with a maximum output of 9000 pph

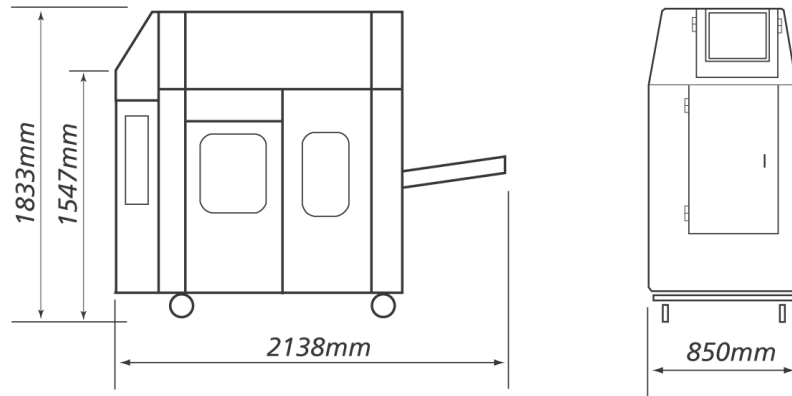
The single discharge conveyor is standard equipment but both machines can, as an option, be fitted with 75mm wide spreading bands.



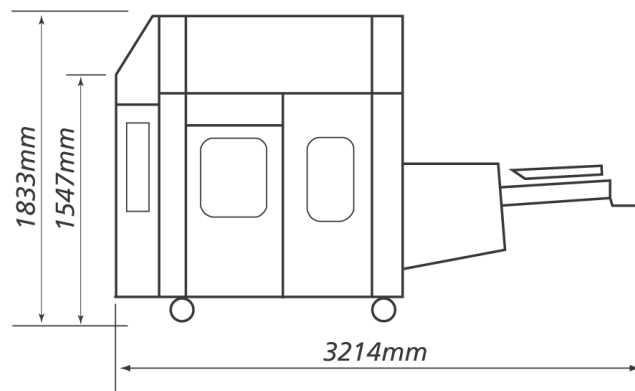
NEWSMITH

Oddy - a division of Newsmith Stainless Limited

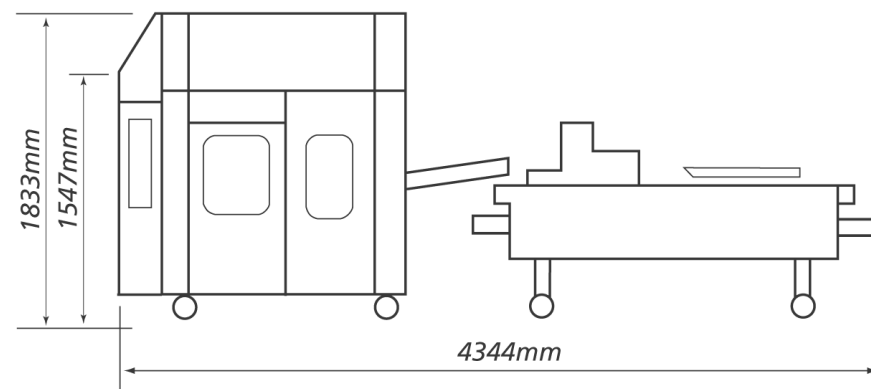
Divider moulder



Divider moulder with integral pinner moulder



Divider moulder with separate pinner moulder



Due to continuous technical developments, specifications may be modified without notice.

